

# 32103/32105/32106

## Indoor LED Vanity Sconce

### Product Information

This vanity wall sconce features a contemporary brushed nickel finish with white alabaster swirled glass. With three lengths 24.5, 36.5 and 48.5 inches, this striking combination of metal and glass adds elegance to any bathroom. Matching 7" and 8.5" wall sconces are included in this series as well.

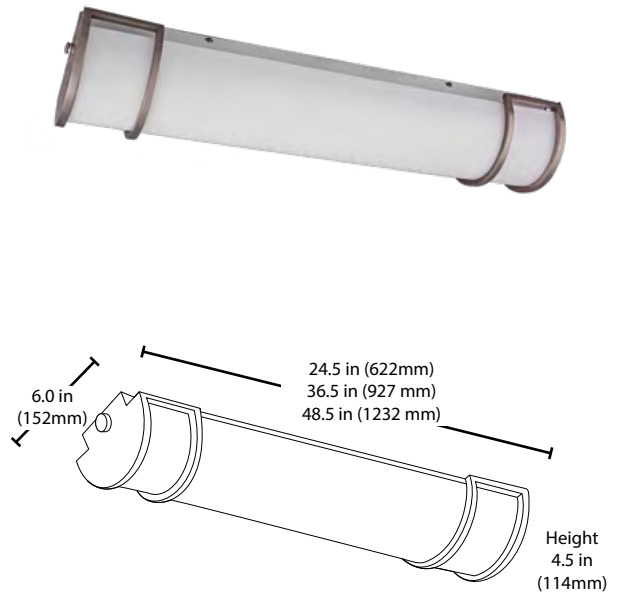
- Input Voltage: 120-277 VAC
- Watts: 23W,34W,48W
- CRI: 80+
- Color Temp: 3000K, 4000K, or 5000K
- Housing Color: Nickel Finish, Frosted Acrylic

Project \_\_\_\_\_

Catalog \_\_\_\_\_

Type \_\_\_\_\_

Date \_\_\_\_\_



### Ordering Information

Catalog Number	Lamp Type	Finish	CCT's
32103	LED	NK (Nickel)	30K
32105*			40K
32106**			

Specifications and dimensions subject to change without notice.

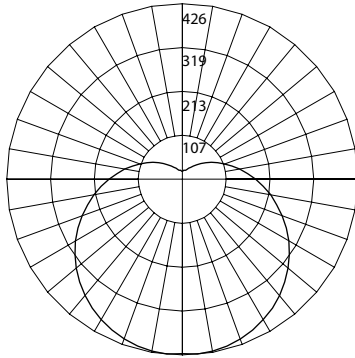
\*Only available in 40K

\*\* Only available in 30K and 40K

# Photometric Data

## 32103 4000K

Input Voltage (VAC)	120
System Level Power (W)	23
Delivered Lumens (Lm)	1860
System Efficacy (Lm/W)	80.8
Correlated Color Temp (K)	4000
Color Rendering Index (CRI)	80+
Horizontal Beam Angle	162.4°
Vertical Beam Angle	107.5°
Spacing Criteria	1.44



### Intensity Summary (Candle Power)

Angle	Mean CP
0	423
5	422
15	411
25	411
35	351
45	309
55	262
65	211
75	16
85	119
90	102

### CCT Data Multiplier

32103-LED-NK-30K	0.960
32103-LED-NK-50K	1.040

### Cone of Light Tabulation

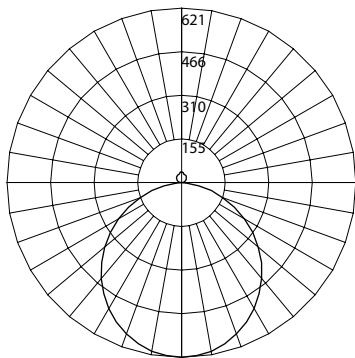
Mounted height (Feet)	Footcandles Beam Center	Diameter (Feet)
4	26.5	5.6
6	11.8	8.3
8	6.6	11.1
10	4.2	14.0

### Zonal Lumen Summary

Zone	Lumens	% of Luminaire
0-30	334	17.9%
0-40	554	29.8%
0-60	1027	55.2%
0-90	1543	83.0%
90-180	317	17.0%
0-180	1860	100.0%

## 32105 4000K

Input Voltage (VAC)	120
System Level Power (W)	34
Delivered Lumens (Lm)	2740
System Efficacy (Lm/W)	80.6
Correlated Color Temp (K)	4000
Color Rendering Index (CRI)	80+
Horizontal Beam Angle	161.3°
Vertical Beam Angle	109.8°
Spacing Criteria	1.44



### Intensity Summary (Candle Power)

Angle	Mean CP
0	621
5	618
15	600
25	565
35	514
45	453
55	384
65	311
75	239
85	176
90	150

### Cone of Light Tabulation

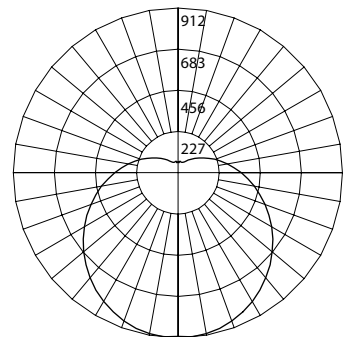
Mounted height (Feet)	Footcandles Beam Center	Diameter (Feet)
4	38.8	5.5
6	17.3	8.2
8	9.7	10.9
10	6.2	13.0

### Zonal Lumen Summary

Zone	Lumens	% of Luminaire
0-30	489	17.8%
0-40	811	29.6%
0-60	1505	54.9%
0-90	2267	82.7%
90-180	473	17.3%
0-180	2740	100.0%

## 32106 4000K

Input Voltage (VAC)	120
System Level Power (W)	48
Delivered Lumens (Lm)	3880
System Efficacy (Lm/W)	80.8
Correlated Color Temp (K)	4000
Color Rendering Index (CRI)	80+
Horizontal Beam Angle	153.6°
Vertical Beam Angle	109.2°
Spacing Criteria	1.44



### Intensity Summary (Candle Power)

Angle	Mean CP
0	905
5	903
15	875
25	820
35	744
45	651
55	546
65	436
75	329
85	237
90	202

### CCT Data Multiplier

32106-LED-NK-30K	0.881
------------------	-------

### Cone of Light Tabulation

Mounted height (Feet)	Footcandles Beam Center	Diameter (Feet)
4	56.6	5.5
6	25.2	8.1
8	14.2	10.8
10	9.0	13.7

### Zonal Lumen Summary

Zone	Lumens	% of Luminaire
0-30	711	18.3%
0-40	1176	30.3%
0-60	2168	55.9%
0-90	3219	83.0%
90-180	661	17.0%
0-180	3880	100.0%

### Performance Data

Model Number	Lumens	Watts	Lumens/Watt
32103-LED-NK-30K	1770	23	77.0
32103-LED-NK-40K	1860	23	80.9
32103-LED-NK-50K	1930	23	83.9
32105-LED-NK-40K	2740	34	80.6
32106-LED-NK-30K	3418	48	71.2
32106-LED-NK-40K	3880	48	80.8