

HLEX LED SERIES

Hazardous Location Edge Lit LED Exit Sign

- Class I, Division 2, Groups A, B, C & D
- Class II, Division 2, Groups F & G
- Class III
- UL 1598A Marine Outside Type
- Temperature Class (T-Rating)-T6
- Patent No. 7,287,347
- IP65
- ETL Listed



713.943.0340 | azz.com/rigalite

HLEX LED SERIES

Hazardous Location Edge Lit LED Exit Sign

Key Features:

- 1 Emergency battery back-up integral to sign (no additional enclosure required)
- 2 3-hour emergency operation
- 3 Optional battery back-up self-diagnostic feature
- 4 Field replaceable LED circuit boards and drivers with quick disconnects
- 5 Edge-lit sign



Additional Features:

- Wall, pendant and end mounting options
- Alternate exit legend and languages available
- Single- or double-sided option
- Sealed NiCad batteries
- Provided with three (3) ½ " NPT hubs
- Red or green LED options

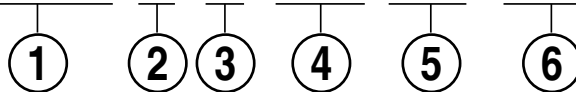
Standard Materials:

- Body: A356T6 aluminum (less than .4% copper content) with baked-on gray epoxy finish
- Gasket: One-piece silicone
- Sign: Acrylic
- Hardware: Stainless steel

LED
HLEX Series
Hazardous Location Edge Lit LED Exit Sign

Catalog Number Logic

HLEX-2-G-DT-WP-XX



- 1 BASIC SERIES**
HLEX Explosion Proof LED Exit Light
Class I, Division 2, Groups A, B, C, & D
Class II, Division 2, Groups F & G
Class III
UL 1598A Marine Outside Type
IP65
ETL Listed
Temperature Class (T-Rating)-T6

- 2 NUMBER OF FACES**
1 = Single Face
2 = Double Face

- 3 LEGEND COLOR**
R = Red
G = Green

- 4 VOLTAGE/FREQUENCY**
DT = 120/277V 60 HZ
24 = 220-240V 50/60 HZ
Other voltages available- consult factory.

- 5 MOUNTING**
WP= Wall/Pendant Mounting
EB = End Bracket

- 6 OPTIONS¹**
EM = Emergency Battery Backup
SD = Self Diagnostics
X = Exit Legend in Other Languages
Language Must be Specified

¹Consult factory for pricing.
²Must be preceded with EM.

Maximum Input Power

Red no battery- 1.5 Watts
Red with battery- 2.5 Watts
Green no battery- 2.3 Watts
Green with battery- 3 Watts

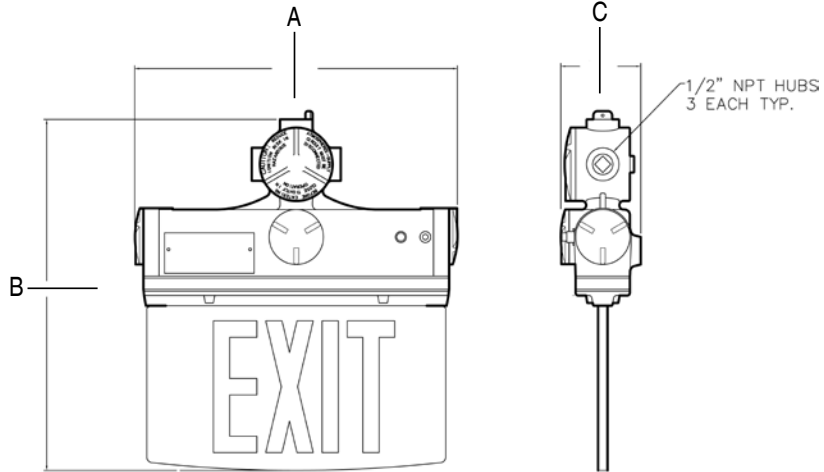
Operating Temperature Range

Temperature Rating- T6
Red Legend
+10° C Minimum to +55° C Maximum
Green Legend
+10° C Minimum to +40° C Maximum

LED
HLEX Series

Hazardous Location Edge Lit LED Exit Sign

HLEX Series Fixture Dimensions (inches)



HLEX Series	Dimensions (inches)			Boxed Weight	Shipping Volume (Boxed Fixture)
	A	B	C		
HLEX LED Exit Sign	14.88	16.00	3.69	14 lbs.	1.24 cu. ft.