

EASY ACCESS LIGHTING BOX 2-1/8" DEEP

30.2 Cu. In.

PRODUCT FEATURES

- ▶ Fast and efficient installations
- ▶ Sliding cover plate for one person installations
- ▶ Available with either standard or swivel sliding cover plate
- ▶ Swivel reduces damage to hanging fixtures when struck
- ▶ Complies with NEC 314.27 (A)(D) for up to 90 lbs. of fixture load (for more information see pg. W14)

Cat. No.	Description	Dimensions (W x H)	Knockouts		Std. Pkg.
			Sides	Bottom	
EALB	Easy Access Lighting Box	4" X 4"	4-CKO	3-1/2", 1-3/4"	50
EALBS	Easy Access Lighting Box with the Sliding Swivel	4" X 4"	4-CKO	3-1/2", 1-3/4"	10

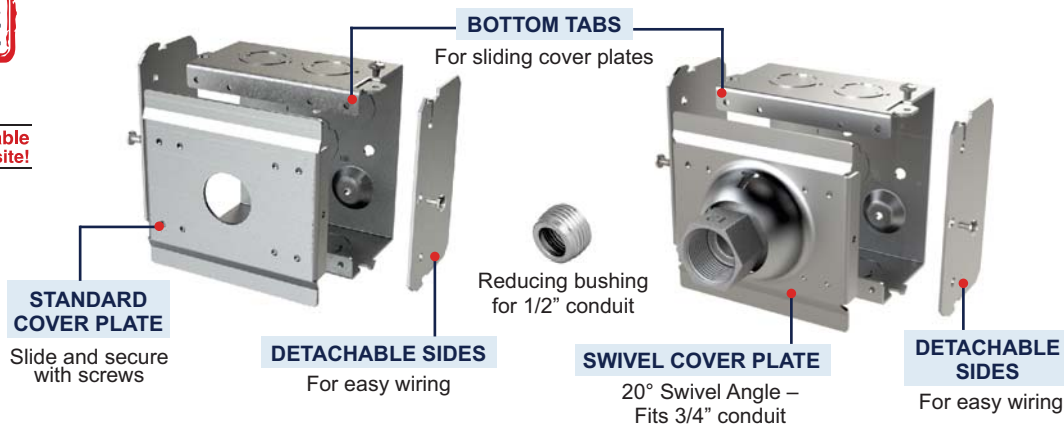


EALB



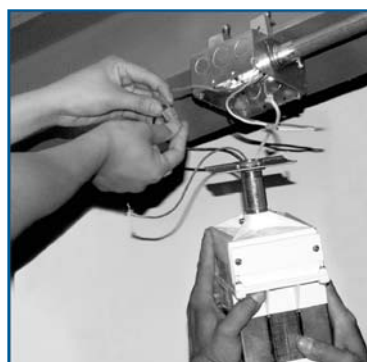
EALBS

Only box UL-Listed for up to 90lbs of fixture load!



Exit & Emergency

50% LABOR SAVINGS



TRADITIONAL METHOD

Requires two installers



WITH ORBIT'S EALB/S

Only one installer



(1) Install EALB with side plate and cover plate REMOVED



(2) Install cover plate on lighting fixture and slide it back into the box



(3) Complete wiring



(4) Attach side plate with screws to finish installation

